

# Zululand Amateur Radio Club News

The newsletter for the discerning Ham

November 2018

ZARC Committee

Chairman: Warren Snyders ZS5WOZ

Vice Chairman: Gerald Scrooby ZS5GS

Treasurer: Willie Axford ZS5WI

Secretary: Vacant

Editor: Jo Snyders ZS5PO

Webmaster: Chantel Pelser

-

---

Club Repeaters

Ntumeni 145.675 MHz

Empangeni 145.700 ( Off-line.)

Nets

SARL News

08h30 - Sundays - 145.650, 7.066 MHz

---

NEXT ZARC MEETING

DATE: **February 2019** (Sunday) (date to be advised)

TIME: 11:00

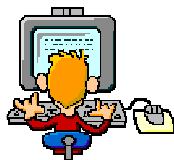
QTH: To be advised

---

E-Mail: [jodawn@telkomsa.net](mailto:jodawn@telkomsa.net) & [zs5woz@gmail.com](mailto:zs5woz@gmail.com) (Temporary Secretaries)

Club Web site: <http://zs5zlb.org.za/>

# Editor, Q.R.L.



Greetings & Salutations fellow members, I trust that this news letter finds you all in good health. The date of the next club get-together will be the Christmas get together on the 9<sup>th</sup> December. Venue will be advised  
Please make a note in your day books and diaries.

## **Please note:**

The **Temporary Secretary position will be filled by Jo ZS5PO [jodawn@telkomsa.net](mailto:jodawn@telkomsa.net) and Warren [zs5woz@gmail.com](mailto:zs5woz@gmail.com)**

**Have you bought insurance to continue enjoying your hobby yet? SARL membership IS that insurance!!!  
Is your hobby worth R1.26 per day to you? YES?! Then join the SARL, it's the RIGHT thing to do!!!**

The radical opinions, and rantings of the Editor, are not necessarily the opinions of, or supported by, the ZARC Committee, or it's members.

## Wots Potting In The ZARC

### Birthday Greetings Go To:



**October :** Willie ZS5WI, on 2<sup>nd</sup> . Kiana, daughter of John ZS5J, on the 31<sup>st</sup> .  
**December:** Belinda, SW of Warren, ZS5WOZ, on 17<sup>th</sup> .

Many happy returns to all of you, and may you be spared for many more happy, healthy, years.  
(If your birthday wishes do not appear here, it is because you have not informed me of your birth date).

### Get Well Soon



I have not heard of anyone who has been "Doctor Bothering" of late.

## Club Happenings

### RIP

It is with deep regret that I announce the passing away of Dawn **ZS5ME**, on the 19<sup>th</sup> November at 17:30. Dawn had served the club as Secretary for a number of years. She had been a member of the club since writing the RAE on 13<sup>th</sup> November 1997.

She is survived by her husband Jo ZS5PO, her son Warren ZS5WOZ & daughter Bridget. Daughter in-law Belinda, and three grand children.

## Club Christmas Get Together

The date of the next club get-together will be the Christmas get together on the 9<sup>th</sup> December. Venue will be advised. Please make a note in your day books and diaries.

## APRS

People in the Richards Bay/Empangeni area can get into the PMB I-Gate on 144.800.

## Repeaters

**145.675:** This repeater has a problem with the RX antenna, and the antenna needs to be replaced. We have received an offer from 2 MARC members to climb up the tower to do this job for us.

**145.700:** This repeater is now a DEAD puppy, and needs to be recovered from this site.

**STILL waiting for ESKOM to open up for us to get into this site.**

## "SWAP SHOP"



**If you have any items you want to get rid of, or if you are looking for something, Please let the Editor know and he will advertise it in the swap column for you.**



## Simple Radio PTT To Computer Interface Circuits

SSTV, Packet, PSK31, RTTY, CW, EchoLink, eQSO etc.

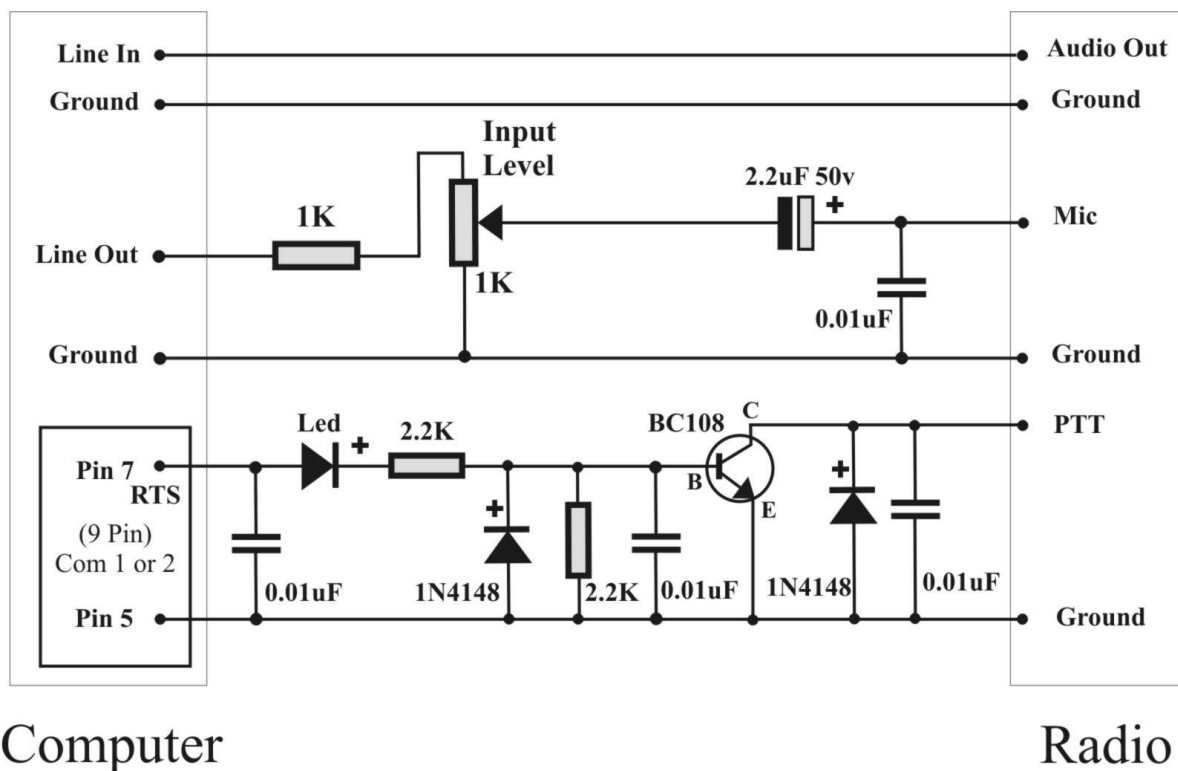
By Peter EI4JR / G4KQU

### Simple Interface

This circuit is very similar to Circuit 1 except it does not use audio transformers or the optocoupler, but performs splendidly.

In this circuit RTS drives an open collector for the PTT.

You can use any general NPN transistor instead of a BC108.



Circuit 2

### Components for Circuit 2

1 x 1k ¼ watt resistors - 2 x 2.2k ¼ watt resistors

1 x 1k Potentiometer Lin - 1 x 2.2uF 50v capacitor - 4 x 0.01uF capacitors

1 x Red LED (High sensitivity type) - 2 x Diode 1N4148 - 2 x 3.5mm Stereo plugs

1 x BC108 Transistor - 1 x 9 Pin D plug ( Com port 1 or 2) & cover

Screened cable - Project Box

Visit [Mode Components](#) for your parts

End Of Part No 3 of 5



## On The Dry Side



"OK, I get it! You  
don't like being  
disturbed during the  
contest!"

---

If you would like to contribute to your Club newsletter, or to contact me for any reason, please use the address / Phone numbers below.

Jo Snyders ZS5PO  
PO Box 98  
Mandini 4490

Telephone 032-456 2301

Mobile (Cell) 083-666 0709

Email [jodawn@telkomsa.net](mailto:jodawn@telkomsa.net)

